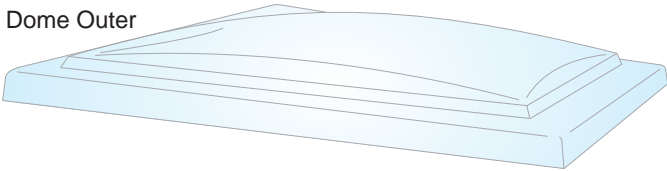
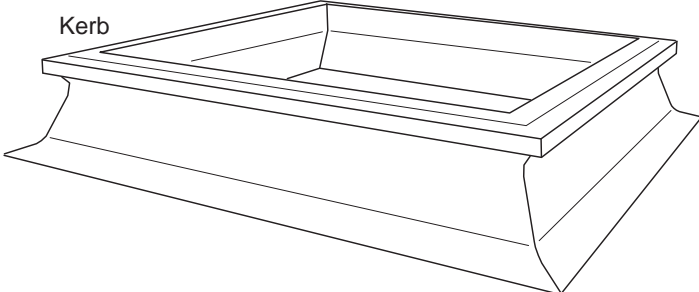
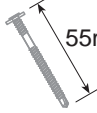
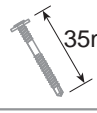





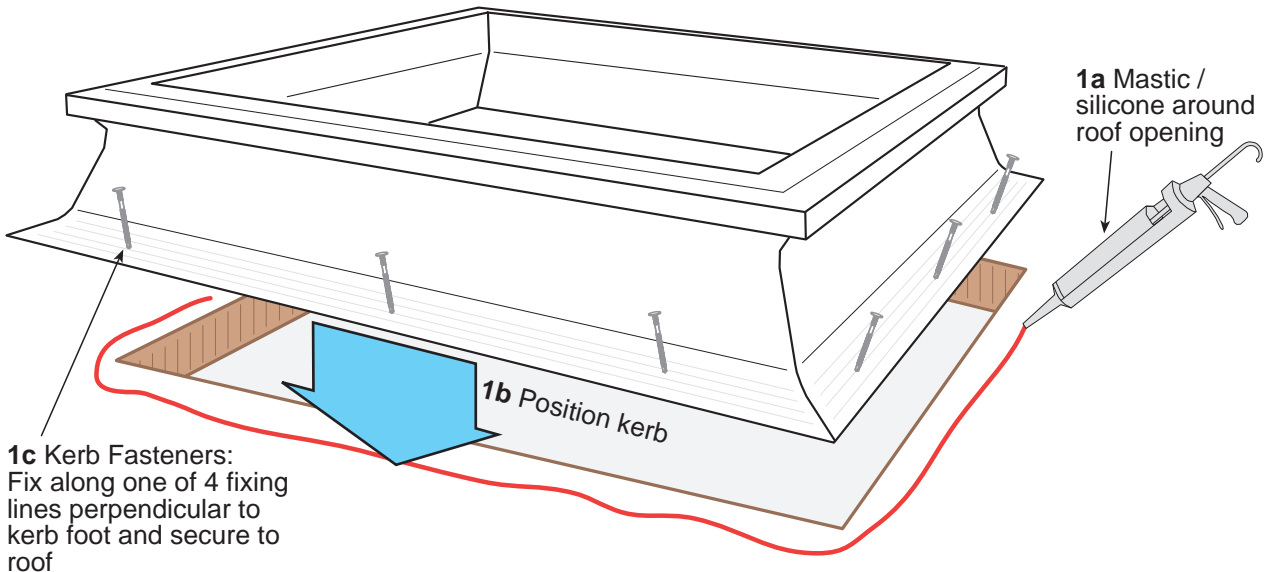


Daylight Systems

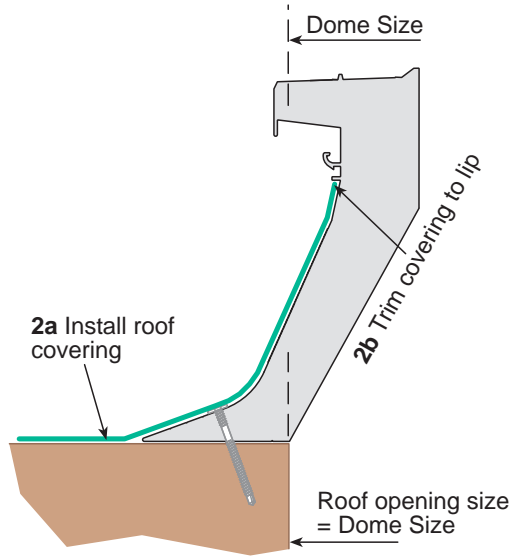
Installation: Mardome Trade with sloping kerb Single, Double & Triple skin / unvented & vented

Parts in this Mardome kit		Length of side					
		600, 750	900, 1050, 1200	1350, 1500	1800	2400	
 	Number per side	Kerb fastener  55mm (Packaged in packs of 5)	2	3	4	5	5
		Dome fastener single/double skin  35mm (Packaged in packs of 5)	2	3	4	5	7
		Dome fastener triple skin (cassette)  75mm (Packaged in packs of 5)	2	3	4	5	7
		Fastener buttons  (Loose for single & double skin)	2	3	4	5	7
		Fastener caps 	2	3	4	5	7
		<i>(Please unpack and check all parts are included and undamaged)</i>					

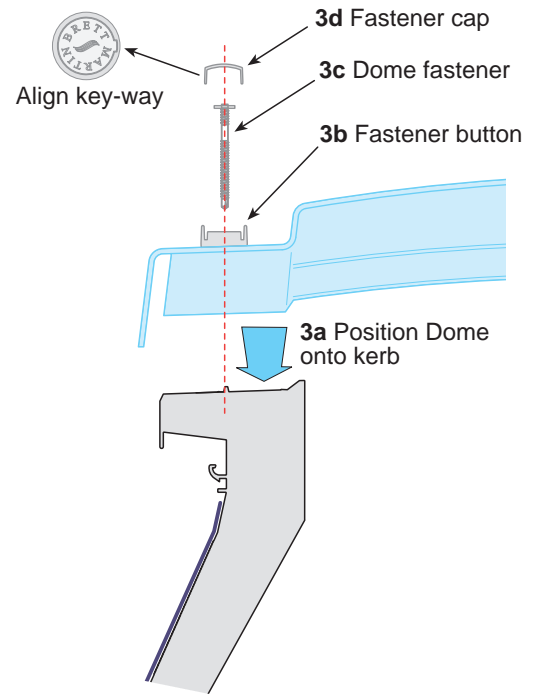
Kerb Installation



2 Roof covering Installation



3 Dome Installation



Coventry
Alderman's Green Ind Est
Coventry
CV2 2QU
Tel: 024 7660 2022
Fax: 024 7660 2745
e-mail: daylight@brettmartin.com
www.daylightsystems.com



Daylight Systems