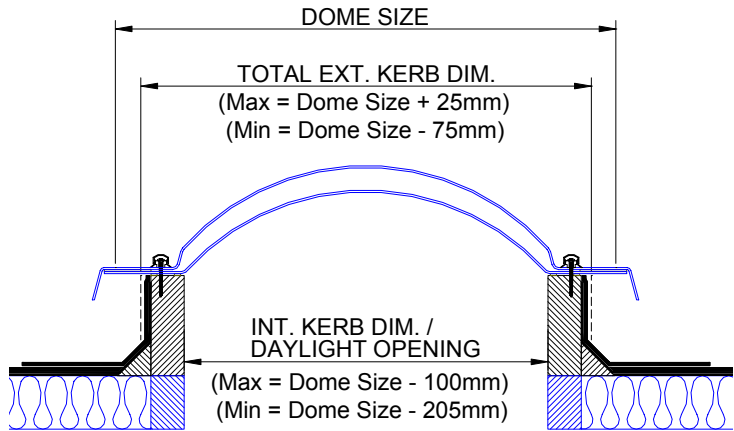


Installation to Builders' Upstands

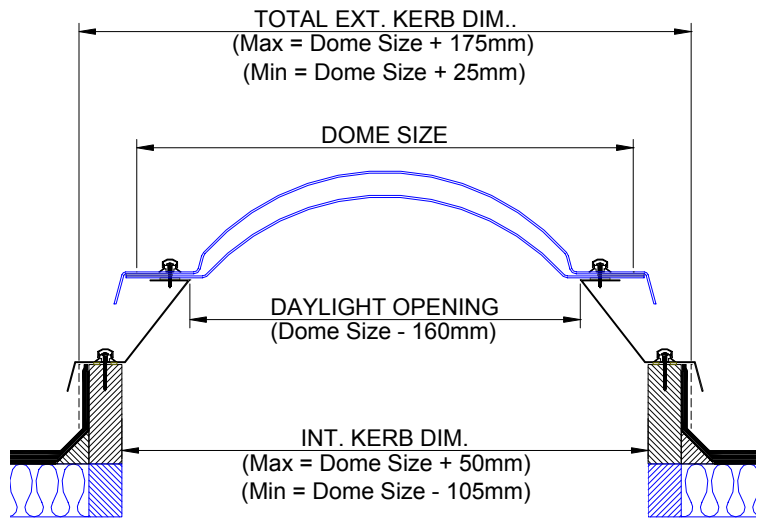
Direct Fix

Mardome Reflex rooflights are designed to be fitted directly to existing builders' upstands. Ensure the upstand is constructed within the dimensions shown to the right. Apply the foam sealant to either the top surface of the upstand or the underside of the dome fixing flange. Align the rooflight squarely onto the upstand and pre-drill Ø5mm - Ø6mm holes through all layers of polycarbonate at each fixing point. Space the fixings evenly along each side. Using the fixings kits supplied, secure the rooflight through the pre-drilled holes.

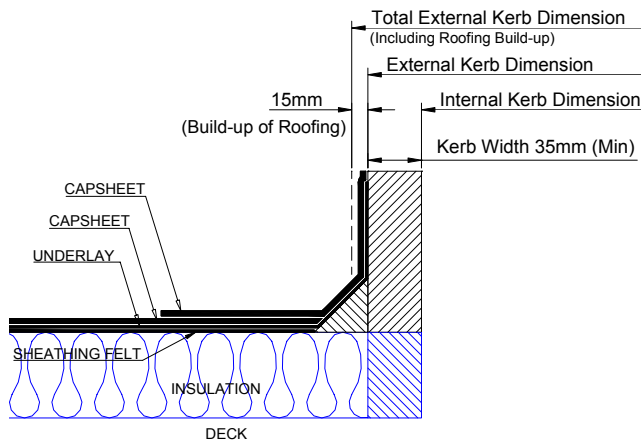


Standard Kerb Adapter

Alternatively, where an existing builders' upstand dimensions do not allow for direct fixing, Mardome Reflex rooflights can be fitted using standard kerb adapters. Apply the foam sealant to either the top surface of the upstand or the underside of the kerb adapter lower fixing flange. Pre-drill Ø5mm holes and secure the kerb adapter to the upstand using the 55mm screws with the clear plastic washers and caps supplied. Follow the above procedure to attach the rooflight to the kerb adapter.



Builders Upstand Dimensions



Standard Kerb Adapter Dimensions

